

TURBOMATIC 4000 - Nozzle with automatic regulation of pressure and adjustable jet

DESCRIPTION

TURBOMATIC 4000 nozzle is made to equip the outlet of monitors, type **MONITOR-INOX GP 5080** or **COMBITOR 4000** for water or foam.

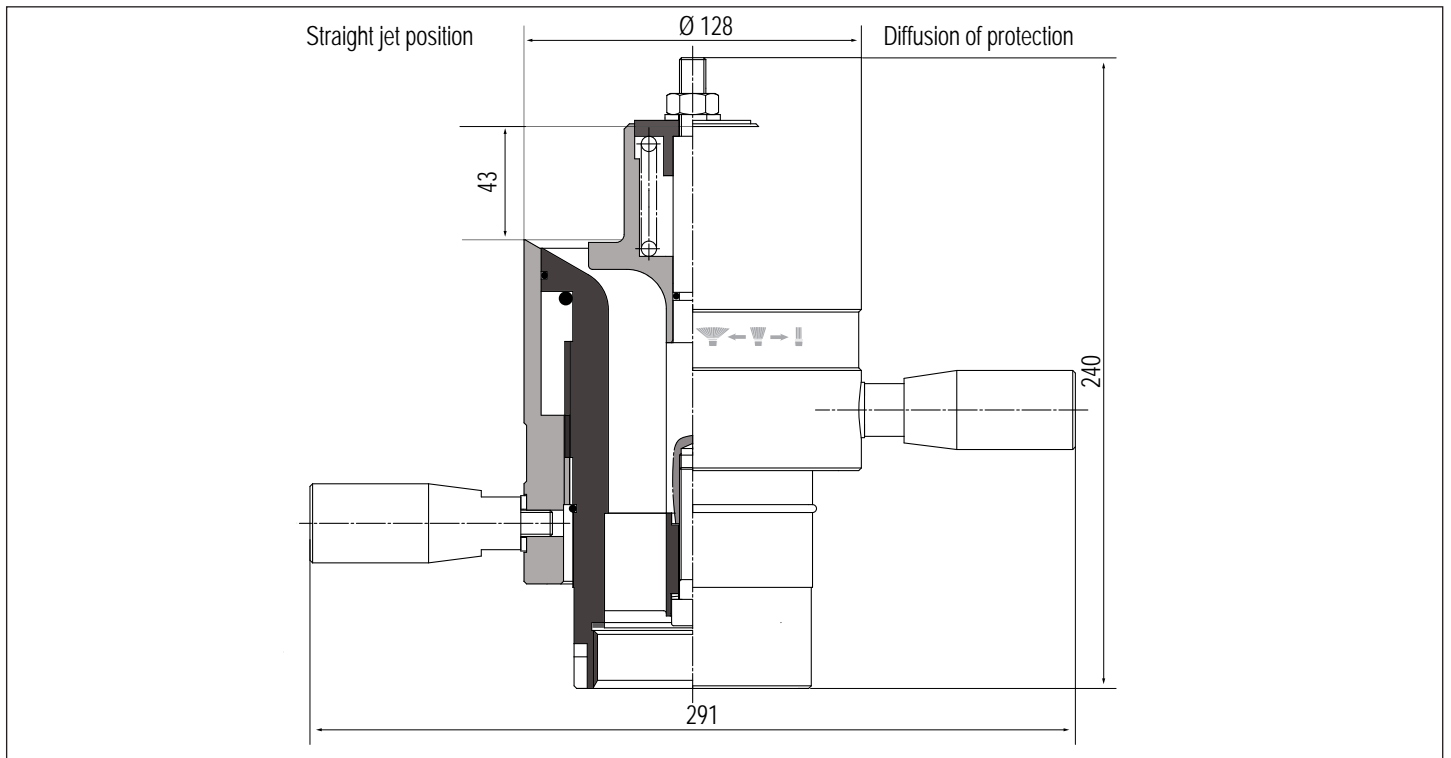
The automatic regulation starts from 1000 L/min to 3000 L/min in a range of pressure from 3 to 7 bar.

The jet selector allows adjusting the jet angle from the straight jet to the wide spray jet position (max. angle of 120°).

Pictograms of location of the different patterns.

CONSTRUCTION

Aluminum alloys with protection against corrosion with black hard anodizing process. Screws, rods and spring in stainless steel.



CHARACTERISTICS AND PERFORMANCES

Model	Part number	Inlet	Weight (kg)
Manual TURBOMATIC 4000	3047.545A	Female 2½	4,100

Flow-rate (l/min)	Pressure (bar)	Horizontal flow-range (in meters) Inclination of the nozzle 30° above the horizontal			
		Straight jet	Narrow spray jet at 30°	Wide spray jet at 120°	
				Length	Width
750	3	36	14	3,5	6,5
2200	4,5	55	21	5	11,5
3700	6	72	28	7	17,5
4000	6,5	75	29	8	19

